

Using a Forklift

Be sure to use a forklift rated to lift at least 5,000 lbs. (See Chart Below).

The oven stand is equipped with fork pockets near the bottom of the base of the stand. The oven is very top-heavy so use extreme caution when lifting the oven..



Model #	Oven	Approx. Weight	Req'd Forklift
WS-BL-3030	Bistro 3030	1,075 lbs.	5,000 lbs.
WS-BL-4343	Bistro 4343	2,100 lbs.	5,000 lbs.

Using a Pallet Jack to Move a Bistro Oven

Once the oven has been removed from the delivery vehicle, it can easily be moved on flat surfaces using a pallet jack.

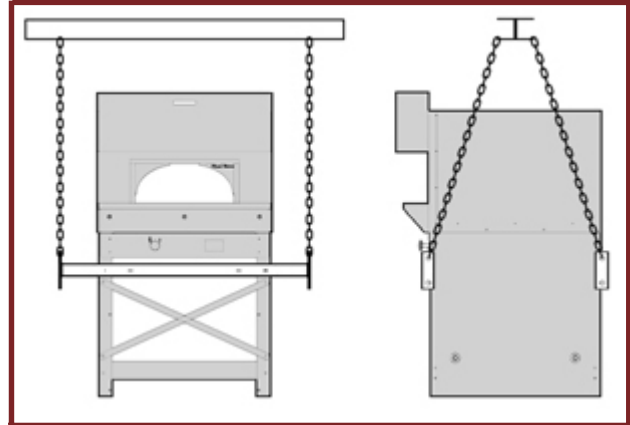


THE OVEN IS VERY TOP-HEAVY, MOVING THE OVEN UP OR DOWN A RAMP ON A PALLET JACK IS NOT SAFE!

Optional: Lifting Oven With a Crane

The oven arrives with lifting eyes attached. When craning a Bistro oven, use a spreader bar with a two-legged sling rigged on each end.

The spreader bar should be of a sufficient length to keep the sling from contacting the oven.



Note: A crane can be used only with flat-bed truck deliveries.

Handling the Disassembled Bistro/Phoenix**The Crated Bistro**

The Bistro 4343 and 3030 ovens, unlike our Fire Deck and Mountain Series ovens, can actually be shipped disassembled. If you know ahead of time you will need to take the oven apart for installation, it may make more sense to ship the unit disassembled.



Option: Turning the Bistro

When turned on its side the upper portion will be roughly 30" wide. This should allow for easier access through smaller passages.



Moving a Wood Stone oven can present interesting challenges to even the most experienced riggers. Take your time, use your head, secure the proper equipment and make safety your first priority. Please don't hesitate to call the factory for technical support (1-800-988-8103).

DELIVERY NOTE:

The customer will receive an Oven Shipping Notification when the oven leaves the Wood Stone factory. This will include a PRO# and a trucking company contact number. Wood Stone recommends that you confirm the delivery date/time with the trucking company before committing to heavy equipment and/or labor. Our goal is smooth and safe delivery. Thank you.