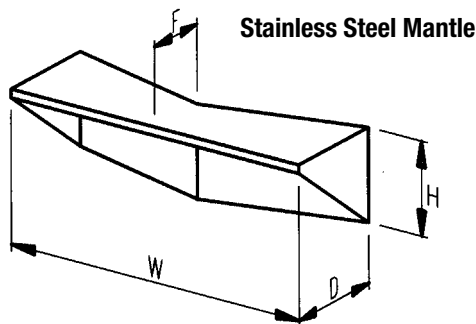


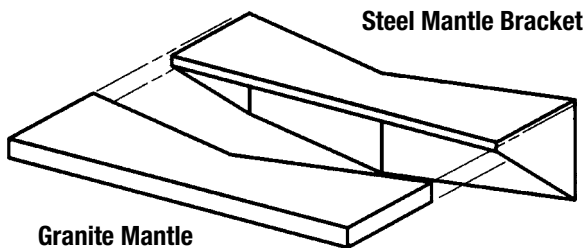


### OVEN MANTLES

An oven mantle extends the working surface at the doorway of the oven, providing a staging area for dishes going into the oven or a holding area for cooked items awaiting service. Two mantle types are available through Wood Stone: stainless steel or black granite. Both mantle types come complete with all the necessary hardware for mounting. If planning to construct a facade wall in front of the oven, please see our *Facade Extension* page.



**Stainless Steel Mantle**



**Steel Mantle Bracket**

**Granite Mantle**

STAINLESS	H	W	F	D
Mt. Chuckanut	11"	28"	9"	9"
Mt. Adams	11"	32"	8"	12.5"
Mt. Baker	11"	38"	8"	13"
Mt. Rainier	11"	44"	8"	14"
GRANITE	H	W	F	D
Mt. Chuckanut	11"	28.75"	10.25"	10.25"
Mt. Adams	11"	34.5"	9.25"	13.75"
Mt. Baker	11"	40"	9.25"	14.25"
Mt. Rainier	11"	46.25"	9.25"	15.25"

<b>Job Name</b>	
<b>Model</b>	
<b>Item#</b>	

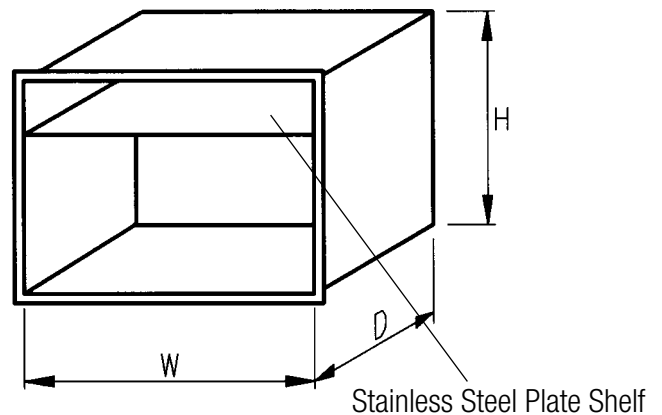
### WOOD STORAGE BOX

Wood Stone's wood storage box is constructed of 14-gauge steel and painted black (also available in stainless steel). It slides easily into the oven stand. The depth of insertion can be adjusted so that the flanged front of the box is flush with the architectural facade. The rear panel of the wood storage box is removable to allow access to the underside of the oven. If planning a facade wall in front of the oven, see our *Facade Extension* page for additional options.

### STAINLESS STEEL PLATE SHELF (PICTURED BELOW)

The addition of this option to the wood storage box creates a convenient plate or pizza box storage area within easy reach of the oven chef (4 inches high x 18 inches deep).

### WOOD STORAGE BOX



OVEN MODEL	H	W	D
WS-MS-4-W	22"	27"	32"
WS-MS-5-W	22"	29"	28"
WS-MS-6-W	22"	35"	32"
WS-MS-7-W	22"	41"	38"