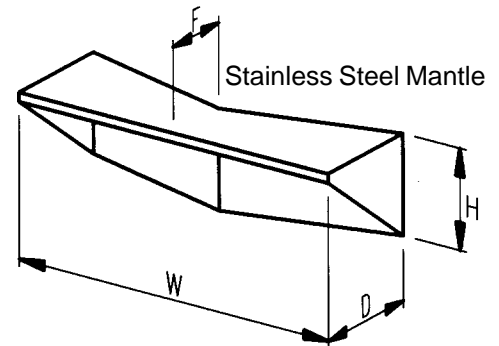
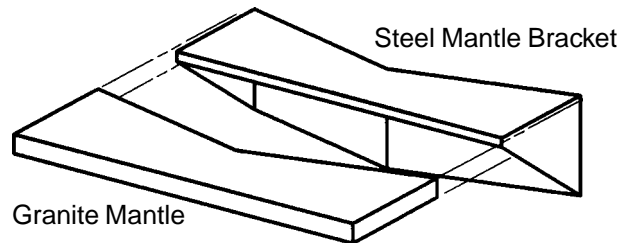


Oven Mantles

An oven mantle extends the working surface at the doorway of the oven, providing a staging area for dishes going into the oven or a holding area for cooked items awaiting service. Two mantle types are available through Wood Stone: stainless steel or black granite. Both mantle types come complete with all the necessary hardware for mounting. A tube of high temperature grout is also provided for filling the space between the mantle and the oven floor.



Stainless	H	W	F	D
Mt. Chuckanut	11"	28"	9"	9"
Mt. Adams	11"	32"	8"	12.5"
Mt. Baker	11"	38"	8"	13"
Mt. Rainier	11"	44"	8"	14"
Granite	H	W	F	D
Mt. Chuckanut	11"	28.75"	10.25"	10.25"
Mt. Adams	11"	34.5"	9.25"	13.75"
Mt. Baker	11"	40"	9.25"	14.25"
Mt. Rainier	11"	46.25"	9.25"	15.25"

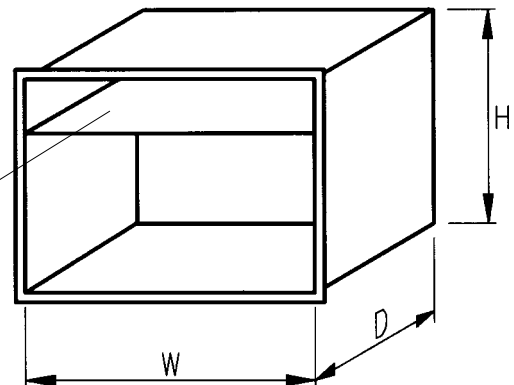


Wood Storage Box

Wood Stone's wood storage box is constructed of 14-gauge steel and painted gloss black for rust resistance. It slides easily into the oven stand. The depth of insertion can be adjusted so that the flanged front of the box is flush with the architectural facade. The rear panel of the woodbox is removable to allow access to the underside of the oven.

Stainless Steel Plate Shelf

The addition of this option to the wood box creates a convenient plate or pizza box storage area within easy reach of the oven chef (4 inches high x 18 inches deep).



Oven Model	H	W	D
WS-MS-4-W	22"	27"	32"
WS-MS-5-W	22"	29"	28"
WS-MS-6-W	22"	35"	32"
WS-MS-7-W	22"	41"	38"

Wood Stone

 1801 W. Bakerview Rd. Corporation
 Bellingham, WA 98226

 Toll Free (800) 988-8103
 Tel (360) 650-1111
 Fax (360) 650-1166